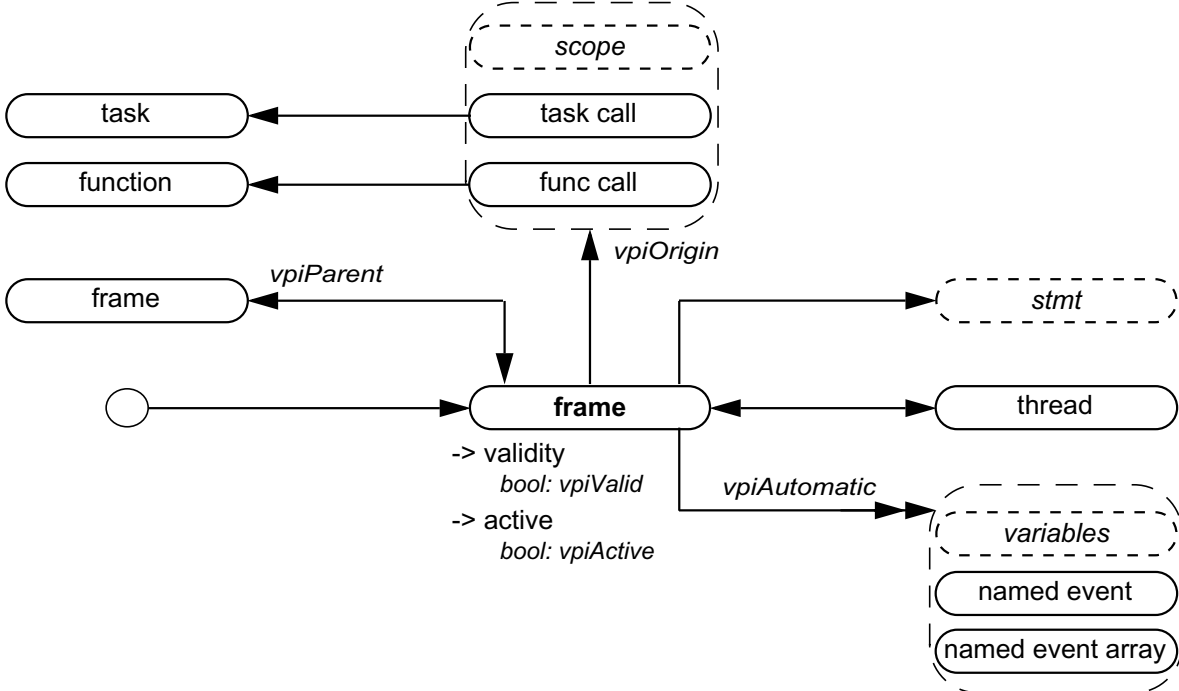
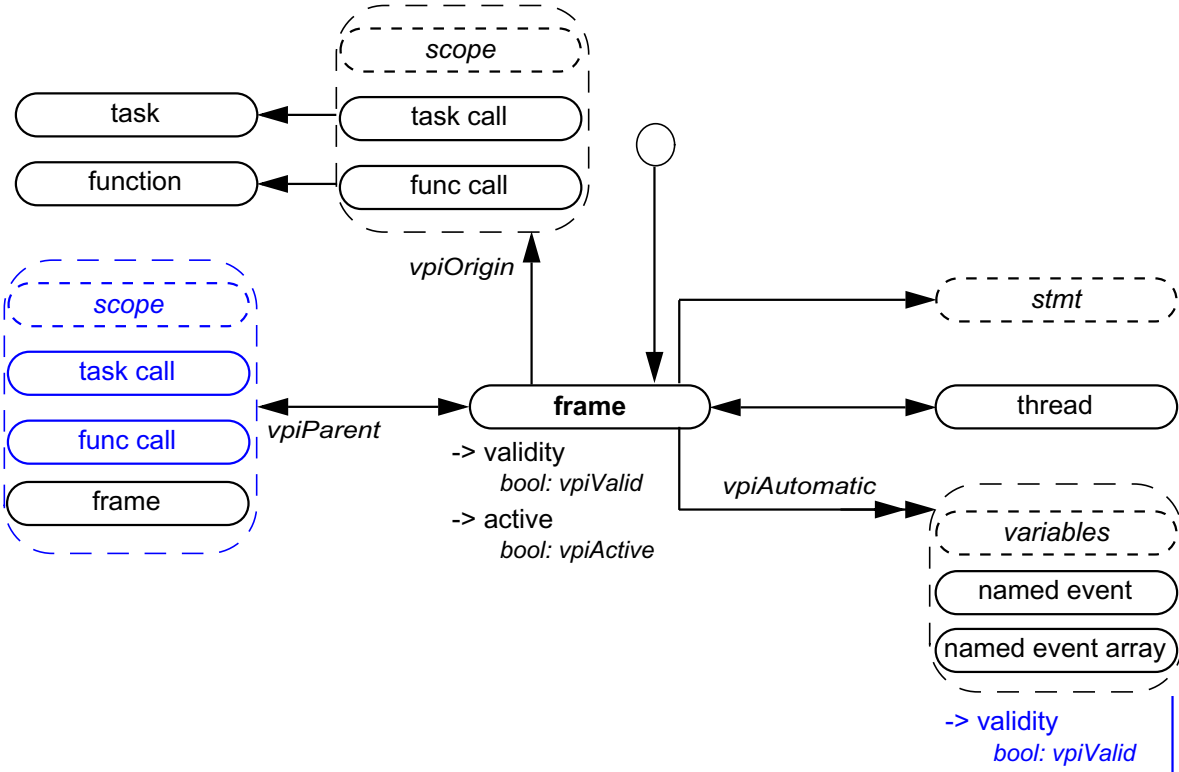


32.28 Frames (supersedes P1364 26.6.20)

CHANGE



TO



Change the proposal for Item 485 as follows:

- | ~~7) The Frame object model is not backwards compatible with IEEE 1364-2005.~~